

HDJ-X5BT-K / HDJ-X5BT-R / HDJ-X5BT-W / HDJ-X5BT-N

DJ HEADPHONES

CASQUE DJ

DJ-KOPFHÖRER

CUFFIE PER DJ

DJ HOOFDTELEFOON

AURICULARES PARA DJ

AUSCULTADORES DE DJ

НАУШНИКИ ДЛЯ ДИ-ДЖЕЕВ

DJ耳机

DJ耳機

DJヘッドホン

Instruction manual

Mode d'emploi

Bedienungsanleitung

Manuale di istruzioni

Gebruikershandleiding

Manual de instrucciones

Manual de instruções

Инструкция по эксплуатации

使用说明书

操作手冊

取扱説明書

保留备用

使用产品前请阅读使用说明

pioneerdj.com/support/

For FAQs and other support information for this product, visit the above site.

Pour les FAQ et autres informations de support sur ce produit, consultez le site ci-dessus.

Häufig gestellte Fragen und weitere Support-Informationen für dieses Produkt finden Sie auf der oben genannten Seite.

Per la sezione FAQ e altre informazioni di supporto per questo prodotto, visitare il sito indicato sopra.

Bezoek de bovenstaande website voor vaak gestelde vragen en andere informatie over ondersteuning voor dit product.

Para consultar las preguntas más frecuentes y otras informaciones de asistencia para este producto, visite el sitio indicado anteriormente.

Para obter informações sobre as FAQs e outras informações de apoio relativas a este produto, consulte o site indicado acima.

Ответы на часто задаваемые вопросы и другую дополнительную информацию о данном изделии см. на указанном выше сайте.

关于此产品的常见问题和其他支持信息，请访问以上网站。

如需本產品的FAQ與其他支援資訊，請造訪以上網站。

上記のサイトで、本製品のFAQなどのサポート情報をご覧ください。



Qualcomm®
aptX™



AlphaTheta Corporation

6F, Yokohama i-Mark Place, 4-4-5 Minatomirai, Nishi-ku, Yokohama, Kanagawa 220-0012 JAPAN

AlphaTheta株式会社

〒220-0012 神奈川県横浜市西区みなとみらい4丁目4番5号 横浜アイマークプレイス6階

Корпорация АльфаТета

6F, Йокогама i-Марк Плаце, 4-4-5 Минатомирай, Ниси-ку, Йокогама, Канагава 220-0012 ЯПОНИЯ

AlphaTheta EMEA Limited

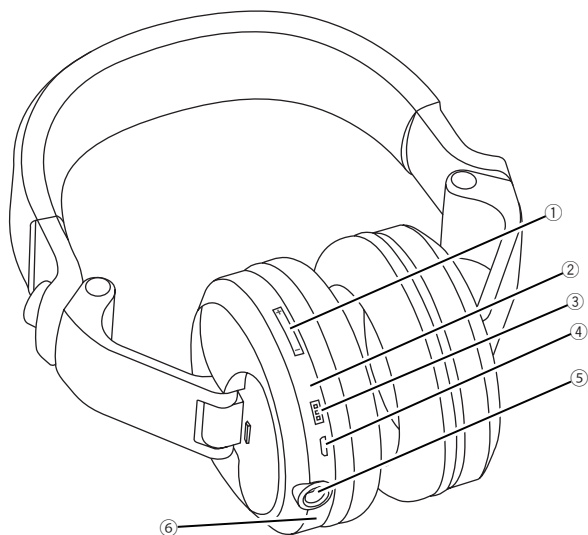
Artemis Building, Odyssey Business Park, West End Road, South Ruislip, Middlesex, HA4 6QE, U.K. TEL: +44-203-7617-220

AlphaTheta Music Americas, Inc.

2050 W. 190th Street, Suite 109, Torrance, CA 90504, U.S.A. TEL: +1 (424) 488-0480

Operating methods

Part names



① **Volume buttons**

② **LED**

Blinks specific sequences and colors to provide notification of device status.

③ **Multifunction button**

Power (switches the device off and on)
Pairing
Play/Pause/Rewind/Forward
Call

④ **Charging terminal**

Connect the supplied USB charging cable to charge.

⑤ **Coiled cable connector**

Connect the supplied coiled cable.

⑥ **Microphone**

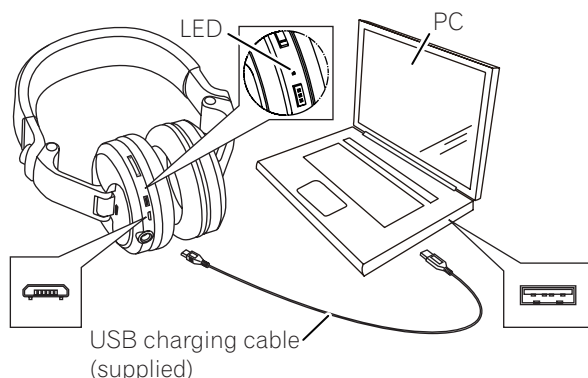
* Product illustrations may differ from the actual product.

How to charge the headphones

After purchasing, please charge before use.

● **Connect the headphones to a PC with the supplied USB charging cable.**

- The red LED lights.
- The red LED lights while charging and turns off when charging is complete.
- Fully charging from an empty state takes approximately 3 hours.



Notes

- During charging, *Bluetooth* devices cannot be connected.
- The recommended charging temperature range is 10°C to 35°C.
- If a connection is established while the power is on, the power turns off automatically.
- The headphones cannot be turned on during charging.
- Do not use any cable other than the supplied USB charging cable.
- The headphones may not be charged in some cases when the PC is in standby or sleep modes.

Cautions regarding the USB charging cable

- Do not use connectors on which the terminal section has been twisted.
- When connecting the connector, check the connection direction and insert it directly.
- Do not allow fluids (sweat or drinking water) or foreign matter (small items of refuse or dust, metal, etc.) to adhere to the connector section.

Turning the power on/off

Turning the power on

-
- **Press the multifunction button for approximately three seconds.**

Turning the power off

-
- **Press the multifunction button for approximately three seconds while the power is on.**

Connecting via Bluetooth

Preparations

- Bring the *Bluetooth* device within approximately 1 m of the headphones
- If necessary, read the user's manual of the device that you are trying to connect in order to confirm how to use it

Pair (register) the headphones with the Bluetooth device and connect them

1 With the power turned off, press and hold the multifunction button on the headphones until the LED blinks.

When connecting a device for the first time:

Approx. 3 seconds

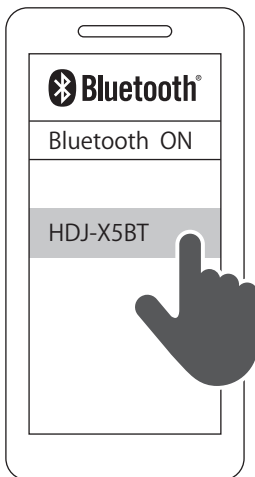
When connecting the second or subsequent device:

Approx. 5 seconds

- The headphones begin searching for the *Bluetooth* device to connect to, and the LED blinks red and white alternately.

2 Turn on the *Bluetooth* device and activate it.

3 From the *Bluetooth* menu on the *Bluetooth* device, select the device name "HDJ-X5BT".



- In some cases the MAC address "□□□□□□" (where "□" is a specific character string that differs for each device) appears before "HDJ-X5BT" is displayed.
- If a passkey entry is requested, enter the passkey of the headphones "0000" (four zeros).

4 On the headphones, check the connection to the paired *Bluetooth* device.

- The LED blinks red and white alternately until connection with the device is complete.
- When the white LED lights, pairing is complete.

Notes

- The headphones power will turn off if connection to the device does not complete within five minutes. If this occurs, register the device again.
- Two or more *Bluetooth* devices cannot be connected with the headphones at the same time.
- The headphones can register up to eight *Bluetooth* devices. If more than the maximum number of devices are registered, already registered *Bluetooth* devices will be overwritten in order from the device first connected. Register the devices again if you wish to use them.

Listening to music

Listening to music with *Bluetooth*

If the *Bluetooth* device is compatible with "A2DP" or "AVRCP" *Bluetooth* profiles, you can use the remote control on the headphones to perform actions such as music playback.

- A2DP (Advanced Audio Distribution Profile): Transfers sound to the headphones.
- AVRCP (Audio/Video Remote Control Profile): Allows remote control operation from the headphones.

1 Connect the *Bluetooth* device to the headphones (page 3).

2 Choose the music or video you wish to listen to from the *Bluetooth* device.

- The sound from the music or video plays back through the headphones.
- When fully charged, playback time is approximately 20 hours. (Sometimes less depending on the conditions of use.)

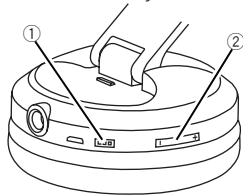
Notes

- Note that the sound may leak out of the headphones at certain volume levels.
- Increasing the volume of the headphones to nearly maximum may cause music, etc. to sound distorted. If this occurs, lower the volume until the music sounds clear.

Remote control operation

Press the buttons on the headphones to operate the *Bluetooth* device remotely.

- Depending on the *Bluetooth* device, some functions may not operate even when the headphone buttons are pushed, or operate differently to the descriptions below.



Button	Operation	Action
①	Press one time	Play/Pause
	Press two times	Track forward
	Press three times	Track rewind
②	+ short press	Increase the volume by one step
	+ long press	Increase the volume continuously
	- short press	Decrease the volume by one step
	- long press	Decrease the volume continuously

* ① Multifunction button ② Volume buttons

Notes

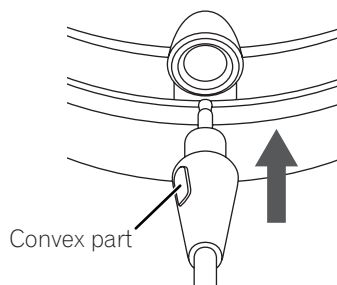
The volume can be adjusted in 15 steps. When the maximum or minimum level is reached, an electronic tone sounds if a button is pressed.

Listening to music with the coil cable

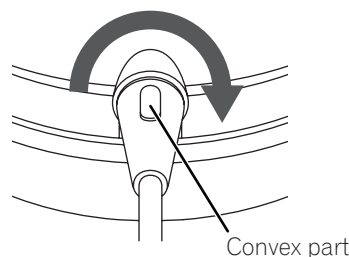
If the device is not *Bluetooth* compatible, or if the battery level is low, you can use the supplied coil cable to use the headphones.

To attach the cable

1 Hold the convex part of the cable plug at the angle shown in the diagram and insert the cable plug.

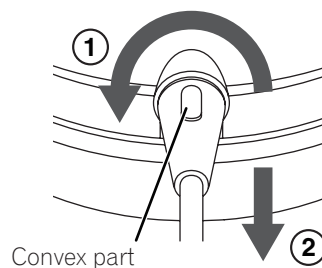


2 Rotate the convex part of the cable plug approximately 45 degrees clockwise to the position shown in the diagram to lock the cable plug.



To detach the cable

1 Rotate the convex part of the cable plug approximately 45 degrees counterclockwise and then pull out the cable plug.



Notes

- *Bluetooth* does not turn on when the supplied cable is connected.
- The plug on the headphone end of the cable supplied with this product employs a new structure to enable smooth insertion and removal, and secure locking in place to make disconnection during DJ performances difficult. Therefore, it is not compatible with the cables supplied with the HDJ-1500, HDJ-700, and HDJ-500. It is compatible with the cables supplied with the HDJ-X7, HDJ-X5 and HDJ-X5BT as they employ the same plug structure.
- If the supplied cable is connected while a *Bluetooth* connection is active, the *Bluetooth* function on the headphones turns off.

Call

If the *Bluetooth*-compatible telephone (cellular phone, smartphone, etc.) is compatible with "HSP" or "HFP" *Bluetooth* profiles, you can use these headphones to call.

- HSP (Headset Profile): You can receive monaural sound in the headphones and perform two-way communication with the microphone.
- HFP (Hands-Free Profile): Has communications transmission and receiving functionality in addition to HSP functions.
- Connect a *Bluetooth*-compatible telephone with the headphones. For information on how to connect, see "Connecting via *Bluetooth*" (page 3).

1 (Receiving an incoming telephone call)

Press the multifunction button on the headphones once to receive a call.

(HFP only) To refuse a call, press and hold the multifunction button for at least two seconds.

(Placing a telephone call)

Place a telephone call on a *Bluetooth*-compatible telephone.

- Read the user's manual of the *Bluetooth*-compatible telephone.
- To cancel the call, press the multifunction button once. The headphones emit an electronic tone. The headphones emit an electronic tone.

2 Call.

You can also adjust the volume while calling. For information on configuring settings, see "Remote control operation" (page 4).

3 Press the multifunction button on the headphones once to finish a call.

The headphones emit an electronic tone.

Notes

- These headphones are only compatible with receiving normal telephone calls. They are not compatible with smartphone or PC calling applications.
- Operation of hands-free settings, etc., on the *Bluetooth*-compatible telephone may be necessary.
- Depending on the *Bluetooth*-compatible telephone, the incoming and outgoing call sounds may be heard from the headphones.
- When using in locations where there are high levels of sound from the surrounding area, or in windy locations such as outdoors, conversations may be difficult to hear. In such cases, move to a different location or switch from using the headphones to using the *Bluetooth*-compatible telephone to call.
- The call function is not supported while the coil cable is connected.

Other functions

Disconnecting

A connection with a *Bluetooth* device can be forcefully disconnected.

- **Press the multifunction button for at least 6 seconds while there is a connection with a *Bluetooth* device.**

Pressing the button for 3 seconds turns the power off and disconnects the connection. Pressing the power button for another 3 seconds turns the power back on and starts pairing mode.

You can disconnect by operating the *Bluetooth* device.

Reset

If you become unable to use the device, you can reset the headphones.

- **Press the multifunction button and "+" volume button simultaneously for at least five seconds while the power is on.**







All previous operations will be reset. (Information on registered devices will also be deleted.) After resetting, power is turned off.

Status display LED

Blinks specific sequences and colors to provide notification of device status.

○: Lit white

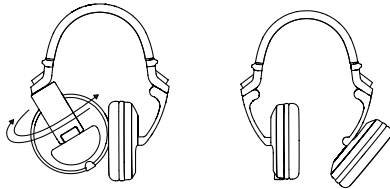
●: Lit red

When the power is turned on* (lights for approximately one second)	
When not connected* (Blinks at about 2-second intervals)	
When waiting for pairing*	
Connecting* (blinks slowly)	
Charging**	
Initialization (reset) complete (blinks for approximately two seconds)	

* When the battery level of the device you are connecting becomes low, the color of the status display LED changes from white to red.

** When charging completes, the LED turns off.

Swiveling and rotation of ear piece housings

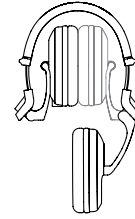


Allows listening with only one ear.

In order to support a wide variety of monitoring styles, this product has been designed with the ability to swivel the ear pieces front-to-back, and rotate each earpiece housing to the outside. Before using, however, please confirm the correct direction and degree of movement allowed, and do not apply excessive force in the attempt to swivel, rotate, or bend the headphones in ways not supported, since damage may result.

Foldable construction

This product is designed to allow folding into a compact shape when not in use.



Troubleshooting

Conditions	Actions
The power does not turn on.	Charge the headphones.
Cannot charge the headphones.	Check that the PC is turned on.
	Check that the PC is not set to power-saving mode.
	Check that the supplied USB charging cable is connected securely to the PC.
Cannot pair.	Bring the headphones and the other device close together before pairing.
Cannot establish a <i>Bluetooth</i> connection.	Check that the headphones and the other device are both turned on.
	Check if the <i>Bluetooth</i> function on the other device is turned on.
No sound is output (when playing back music).	Check that the headphones and the other device are both turned on.
	Check if the headphones and the paired device are connected via <i>Bluetooth</i> using A2DP.
	Check if the paired device is playing back music.
	Check if the playback volume is not set low on the paired device.
The sound is distorted (when playing back music).	Check if there are any devices such as microwave ovens or wireless radios emitting electromagnetic waves in the 2.4 GHz frequency band, or if there are any obstacles in the area.
Cannot use hands-free operation.	Check if the headphones and the paired device are connected via <i>Bluetooth</i> using HFP or HSP.
	If the paired device is connected via <i>Bluetooth</i> using A2DP, a switchover may be required, depending on the device specifications.
Transmission distance is short, the sound skips.	Check if there are any devices such as microwave ovens or wireless radios emitting electromagnetic waves in the 2.4 GHz frequency band, or if there are any obstacles in the area.

- As operation of *Bluetooth* devices differs according to the device, please read the user's manual of your *Bluetooth* device for more information.
- If the problem does not resolve, reset the headphones. For information on resetting, see "Reset" (page 5).
- If the headphones still do not operate normally after performing the procedures above, contact the service center or your dealer for repairs.

Specifications

General

Power DC 5 V (when charging), DC 3.7 V (built-in rechargeable lithium polymer battery)

Playback time *¹ Approximately 20 hours

Charging time *² (25 °C) Approximately 3 hours

Recommended charging temperature range 10 °C to 35 °C

Usable temperature range 0 °C to 40 °C

Usable humidity range 35% RH to 80% RH (with no condensation)

Weight 319 g

*¹ Sometimes less depending on the conditions of use.

*² Time required to fully charge from an empty state.

Charging time may vary depending on the conditions of use.

Bluetooth section

Version *Bluetooth* standard version 4.2

Output *Bluetooth* standard Class 2

Maximum transmission distance Approximately 10 m *³ in unobstructed circumstances

Frequency band used 2.4 GHz

Modulation method FH-SS (Frequency hopping spread spectrum)

Compatible *Bluetooth* profiles A2DP, AVRCP, HSP, HFP

Compatible codecs SBC, AAC, Qualcomm® aptX™, Qualcomm® aptX™ Low Latency

*³ Transmission distances are a guideline. Transmission distance may change depending on the surrounding environment.

Headphone section

Type Closed, Dynamic

Impedance 32 Ω

Sensitivity 104 dB

Frequency response 5 Hz to 30 000 Hz

Maximum input power 2 000 mW

Driver ø40 mm

Plug ø3.5 mm stereo mini-plug

Microphone section

Type Electric condenser

Directionality Omni-directional

Active frequency band 100 Hz to 4 000 Hz

Other

Head cushion Polyurethane (leather finish)

Ear pad Polyurethane (leather finish)

Accessories 1.2 m Coiled cable (extended length 1.8 m), ø6.3 mm stereo plug adapter (threaded type), USB charging cable (supplied) (0.6 m), Quick Start Guide, Precautions for use

Note

Specifications and design are subject to possible modifications without notice due to improvements.

Trademarks and Registered Trademarks

- “Pioneer DJ” is a trademark of PIONEER CORPORATION, and is used under license.
- The names of companies and products mentioned herein are trademarks or registered trademarks of their respective owners.
- The *Bluetooth*® word mark and logos are registered trademarks owned by Bluetooth SIG, Inc. and any use of such marks by AlphaTheta Corporation is under license. Other trademarks and trade names are those of their respective owners.
- Qualcomm aptX is a product of Qualcomm Technologies, Inc. and/or its subsidiaries. Qualcomm is a trademark of Qualcomm Incorporated, registered in the United States and other countries. aptX is a trademark of Qualcomm Technologies International, Ltd., registered in the United States and other countries.

© 2020 AlphaTheta Corporation. All rights reserved. <DRC1409-C>