

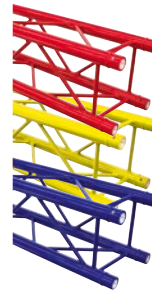
QUADLOCK 6082

QUADLOCK 6082 is a 4-point truss system made of aluminium. The individual elements are connected via four cones, pivots and pins. QUADLOCK 6082 is made of EN-AW 6082 T6 (AlMgSi1,0 T6) alloy for even higher loads.

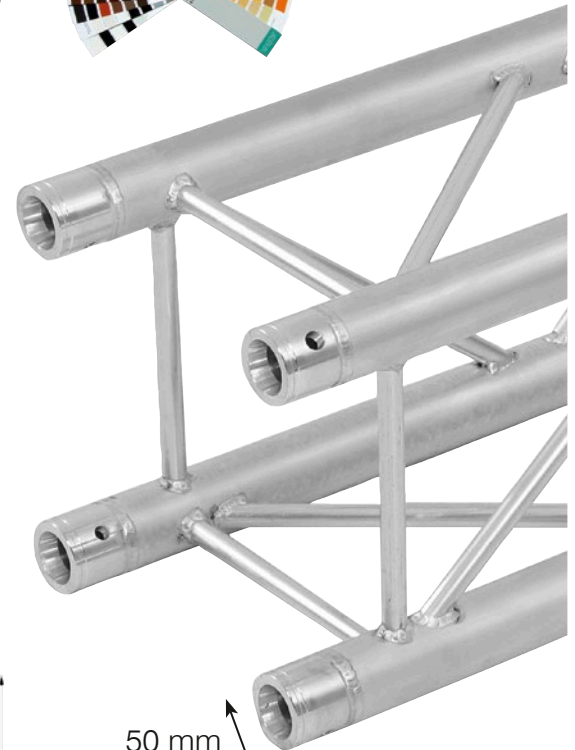
The Quick-Lock system enables fast, efficient and highly aesthetic assembly when the truss constructions are frequently assembled and dismantled. The four main chords are made of 50 mm aluminium tube with 2 mm wall thickness and offer a good relation between strength and weight. The braces have a diameter of 16 mm with 2 mm wall thickness and leave enough space for installing couplers, hooks and clamps. With 290 mm outer dimensions, QUADLOCK QQTR is a stable truss system for higher loads and extended durability.

This system is mainly designed for intense use in stage installations, fair installations, event installations but also for permanent installations in discotheques and theatres. Due to its wide range of standard system lengths, corners and accessory, this system is highly versatile and offers unlimited design possibilities.

The production of this truss system is TUV-monitored. The TUV-certificate, the load tables and the engineering drawings can be downloaded from the Internet before buying the product!



- Systems are available in RAL and special varnishing on request
- All sizes available
- Near-term delivery



ALUTRUS QUADLOCK 6082 4-way cross beam

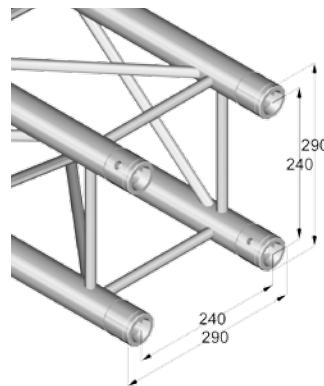
No. 6030649A6082-210
No. 6030649C6082-290
No. 603065006082-500
No. 603065016082-710
No. 603065026082-750
No. 603065036082-875
No. 603065056082-1000
No. 603065066082-1250
No. 603065086082-1500
No. 603065106082-2000
No. 603065156082-2500
No. 603065206082-3000
No. 603065226082-3500
No. 603065256082-4000
No. 603065276082-4500
No. 603065306082-5000



STATICS AVAILABLE



including connecting cone



50 mm

Verwendete Werkstoffe:

Legierung EN-AW 6082 T6 (AlMgSi1,0 T6)
 Gurtrohre 50 x 2 mm
 Streben 16 x 2 mm
 Zubehör/Element 4 x Verbindungskonus, Zapfen, Splint

Lasttabelle 6082:				
Spannweite (m)	Punktlast (kg)	Durchbiegung (mm)	Gleichlast (kg/m)	Durchbiegung (mm)
1,0	1500	1,2	1500	1,2
2,0	1500	3,8	773	2,9
2,5	1500	6,7	699	5,2
3,0	1292	8,4	627	7,9
4,0	950	12,8	432	15,8
5,0	798	19,8	274	22,7
6,0	646	26,2	192	31,6
8,0	475	45,5	107	53,6
10,0	380	71,1	72	87,2
12,0	304	100,0	47	119,1

Maximale Systemlänge: 12 Meter

ALUTRUS QUADLOCK 6082C-19 2-way corner 45°

No. 603065408 kg



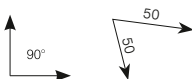
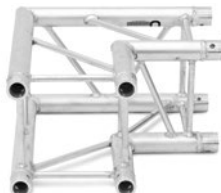
ALUTRUS QUADLOCK 6082C-20 2-way corner 60°

No. 603065457.4 kg



ALUTRUS QUADLOCK 6082C-21 2-way corner 90°

No. 603065505.5 kg



ALUTRUS QUADLOCK 6082C-21R 2-way corner 90°

No. 603065515.3 kg

